



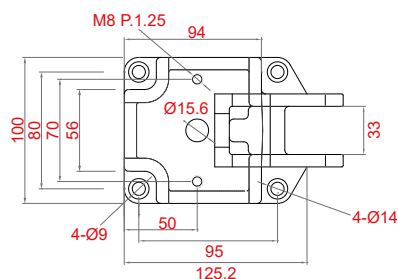
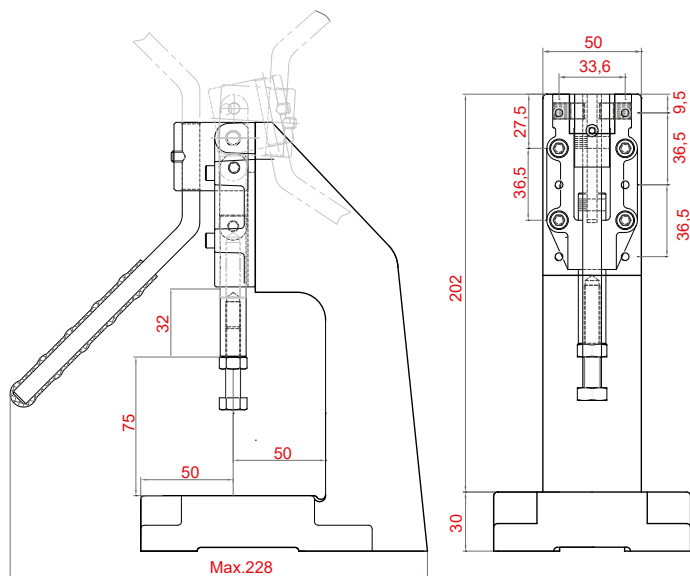
PRESSE MANUALI E PNEUMATICHE

Manual and Pneumatic Toggle Presses



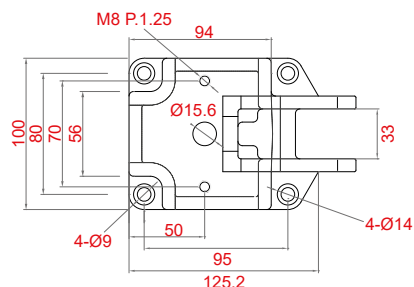
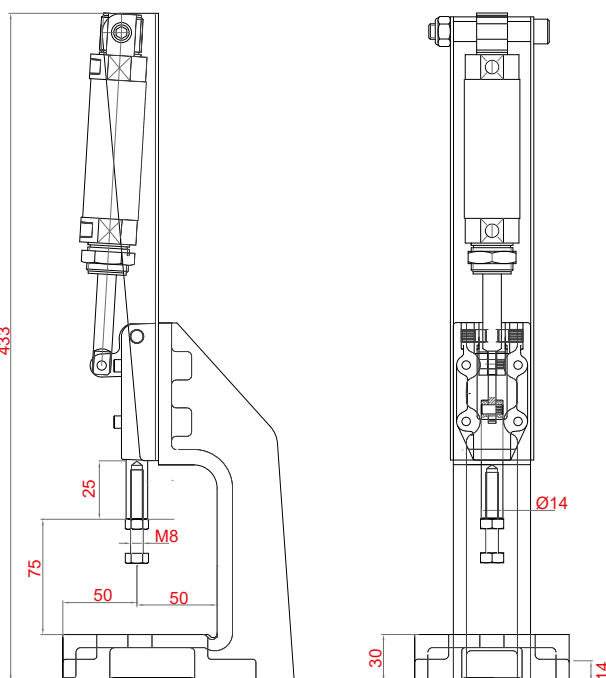
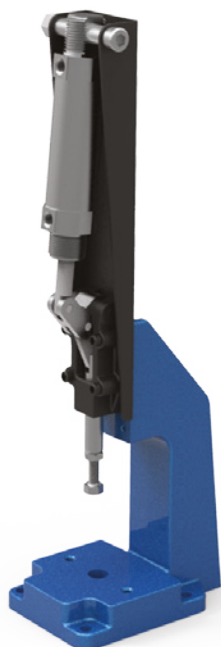
CH-30600PR

Portata (Holding force)	610 Kg
Peso (Weight)	3700 gr.
Corsa del pistone (Plunger stroke)	32 mm
Apertura braccio (Arm opens)	185°
Perno fornito (Spindle supplied)	CH-SA-086512
Filettatura spintore (Stroke thread)	M8 x 1.25



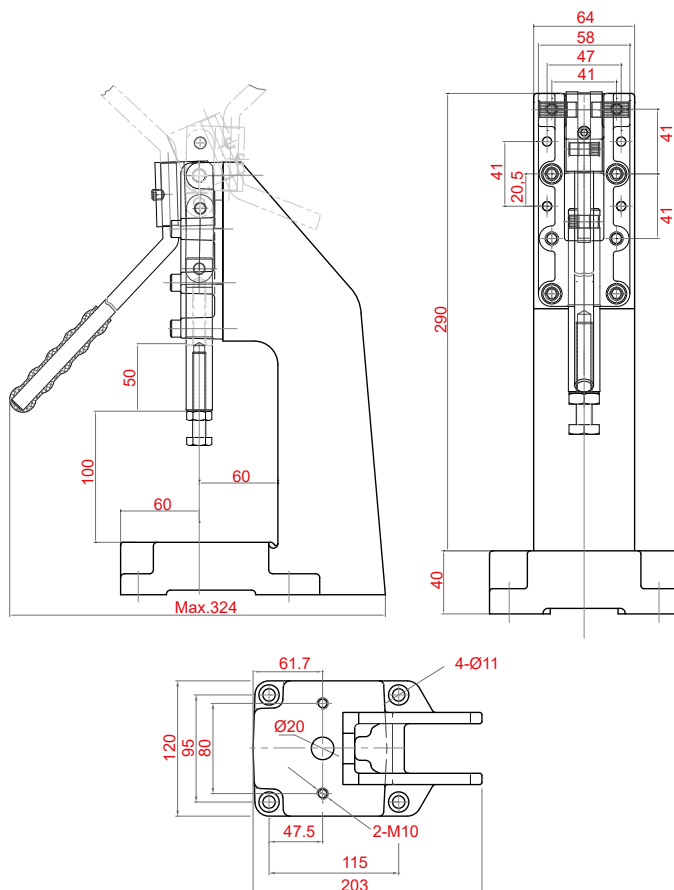
CH-30600PR-A

Portata (Holding force)	610 Kg
Peso (Weight)	4570 gr.
Corsa del pistone (Plunger stroke)	25 mm
Perno fornito (Spindle supplied)	CH-SA-086512
Filettatura spintore (Stroke thread)	M8 x 1.25
Raccordo aria (Port size)	G 1/8"



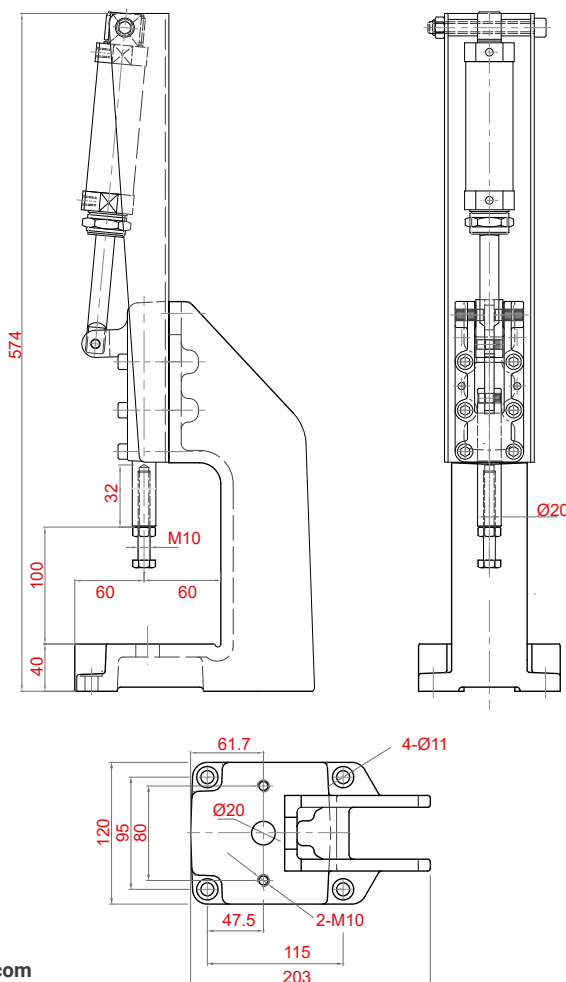
CH-31200PR

Portata (Holding force)	1220 Kg
Peso (Weight)	8740 gr.
Corsa del pistone (Plunger stroke)	50 mm
Apertura braccio (Arm opens)	185°
Perno fornito (Spindle supplied)	CH-SA-107515
Filettatura spintore (Stroke thread)	M10 x 1.5



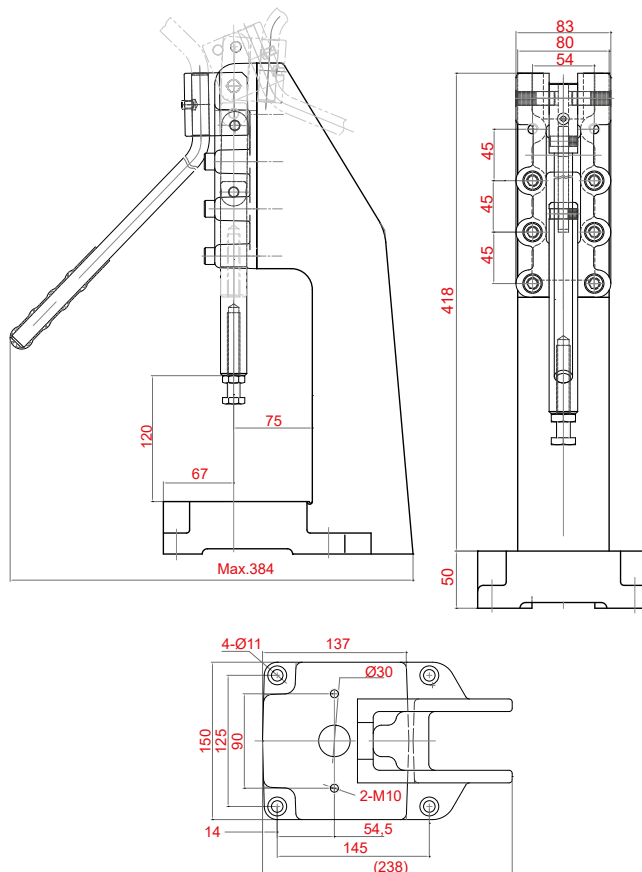
CH-31200PR-A

Portata (Holding force)	1220 Kg
Peso (Weight)	10890 gr.
Corsa del pistone (Plunger stroke)	32 mm
Perno fornito (Spindle supplied)	CH-SA-107515
Filettatura spintore (Stroke thread)	M10 x 1.5
Raccordo aria (Port size)	G 1/8"



CH-32500PR

Portata (Holding force)	2550 Kg
Peso (Weight)	18830 gr.
Corsa del pistone (Plunger stroke)	75 mm
Apertura braccio (Arm opens)	185°
Perno fornito (Spindle supplied)	CH-SA-127517
Filettatura spintore (Stroke thread)	M12 x 1.75



CH-32500PR-A

Portata (Holding force)	2550 Kg
Peso (Weight)	22160 gr.
Corsa del pistone (Plunger stroke)	50 mm
Perno fornito (Spindle supplied)	CH-SA-127517
Filettatura spintore (Stroke thread)	M12 x 1.75
Raccordo aria (Port size)	G 1/8"

